



US007226277B2

(12) **United States Patent**
Dooley

(10) **Patent No.:** **US 7,226,277 B2**
(45) **Date of Patent:** **Jun. 5, 2007**

(54) **PUMP AND METHOD**

(75) Inventor: **Kevin Allan Dooley**, Mississauga (CA)

(73) Assignee: **Pratt & Whitney Canada Corp.**,
Longueuil, Quebec (CA)

(*) Notice: Subject to any disclaimer, the term of this patent is extended or adjusted under 35 U.S.C. 154(b) by 69 days.

(21) Appl. No.: **11/017,797**

(22) Filed: **Dec. 22, 2004**

(65) **Prior Publication Data**

US 2006/0133919 A1 Jun. 22, 2006

(51) **Int. Cl.**
F04B 17/00 (2006.01)

(52) **U.S. Cl.** **417/356; 417/423.1; 415/72**

(58) **Field of Classification Search** **415/71, 415/72, 73, 74, 75; 417/356, 423.1**
See application file for complete search history.

(56) **References Cited**

U.S. PATENT DOCUMENTS

2,225,338 A	12/1940	Geiss	
2,500,400 A *	3/1950	Cogswell	415/91
2,953,993 A	9/1960	Strickland et al.	
3,220,350 A	11/1965	White	
3,288,073 A	11/1966	Pezzillo	
3,373,690 A	3/1968	Unger	
3,413,925 A	12/1968	Campolong	
3,697,190 A	10/1972	Haentjens	
3,972,653 A *	8/1976	Travis et al.	417/356

3,986,551 A *	10/1976	Kilpatrick	165/141
4,157,232 A	6/1979	Bobo et al.	
4,311,431 A	1/1982	Barbeau	
4,408,966 A	10/1983	Maruyama	
4,415,308 A	11/1983	Maruyama et al.	
4,470,752 A	9/1984	Teruo et al.	
4,522,557 A	6/1985	Bouiller et al.	
4,551,064 A	11/1985	Pask	
5,049,134 A	9/1991	Golding et al.	
5,088,899 A	2/1992	Blecker et al.	
5,127,793 A	7/1992	Walker et al.	
5,169,287 A	12/1992	Proctor et al.	
5,505,594 A	4/1996	Sheehan	
5,584,651 A	12/1996	Pietraszkiewicz et al.	
5,593,277 A	1/1997	Proctor et al.	
5,692,882 A	12/1997	Bozeman, Jr. et al.	
5,993,150 A	11/1999	Liotta et al.	
6,450,785 B1	1/2000	Dellby et al.	
6,068,454 A *	5/2000	Gaston et al.	417/356
6,139,257 A	10/2000	Proctor et al.	
6,196,792 B1	3/2001	Lee et al.	
6,231,303 B1	5/2001	Tiemann et al.	
6,368,075 B1	4/2002	Fremerey	
6,685,425 B2	2/2004	Poccia et al.	
6,692,225 B2 *	2/2004	Lin	415/72
2004/0241019 A1 *	12/2004	Goldowsky	417/423.1

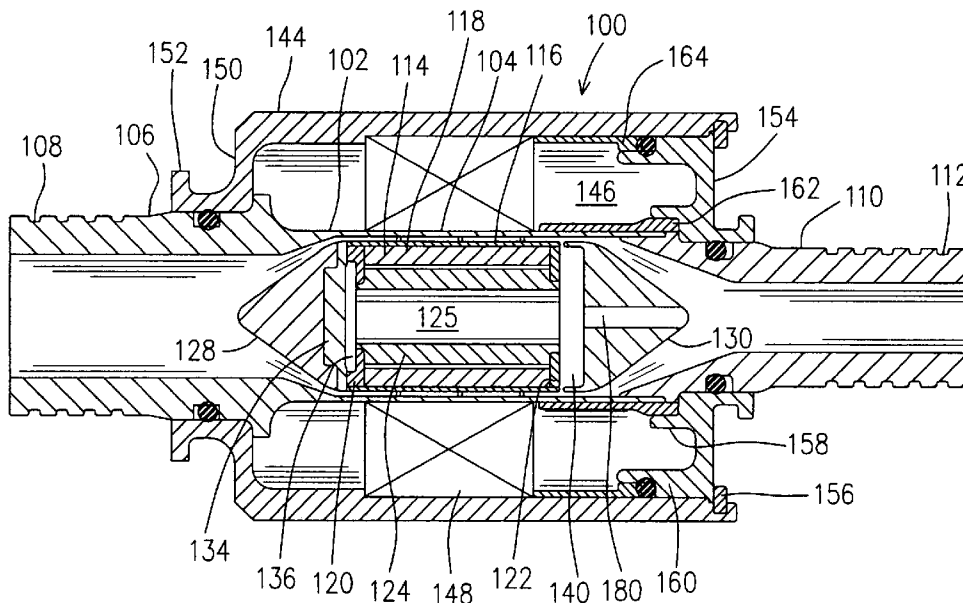
* cited by examiner

Primary Examiner—Hoang Nguyen
(74) *Attorney, Agent, or Firm*—Ogilvy Renault LLP

(57) **ABSTRACT**

A pump for moving a liquid including stator and a permanent magnet rotor which rotates to move at least one a helical pumping member.

10 Claims, 6 Drawing Sheets



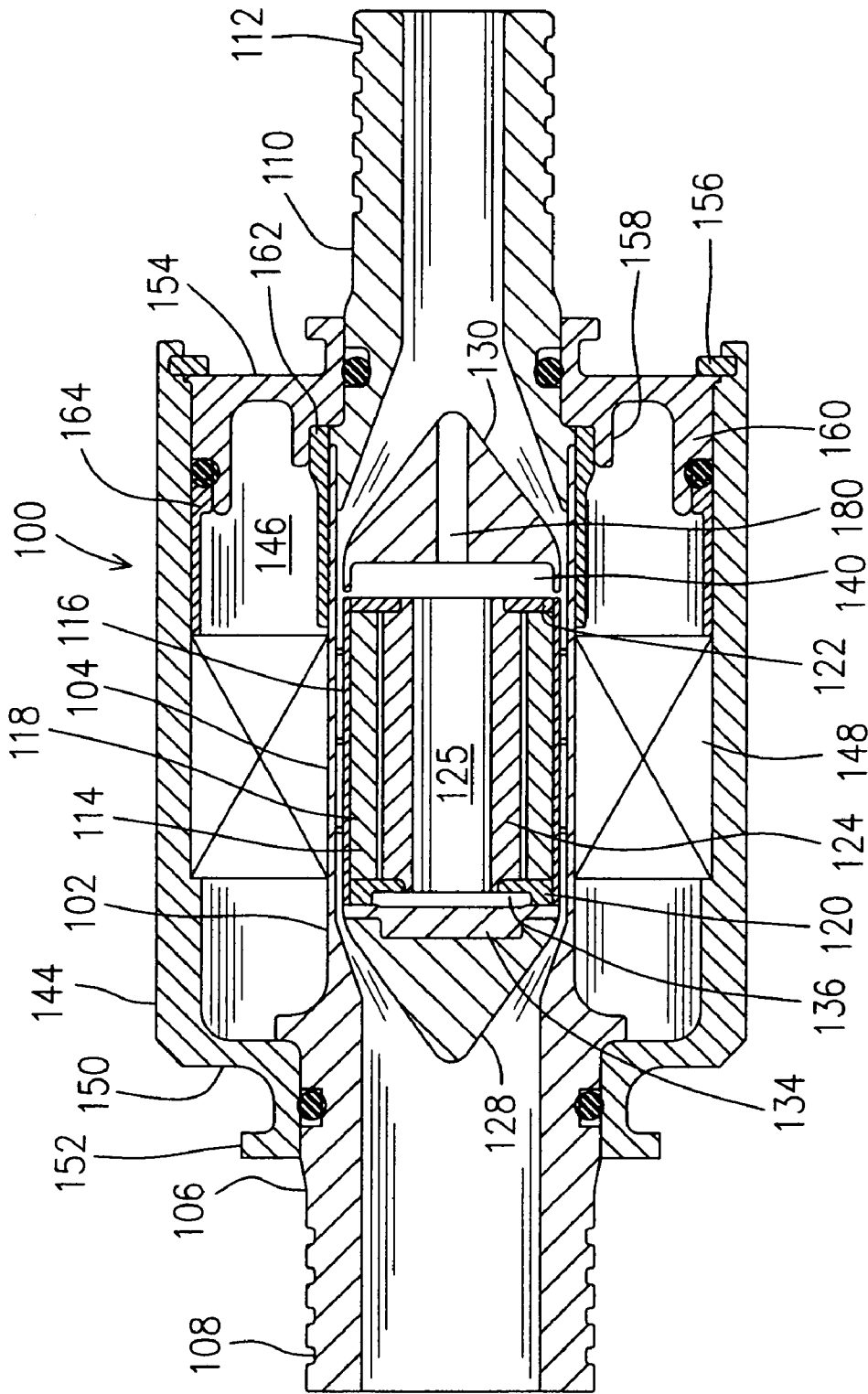


FIG. 1

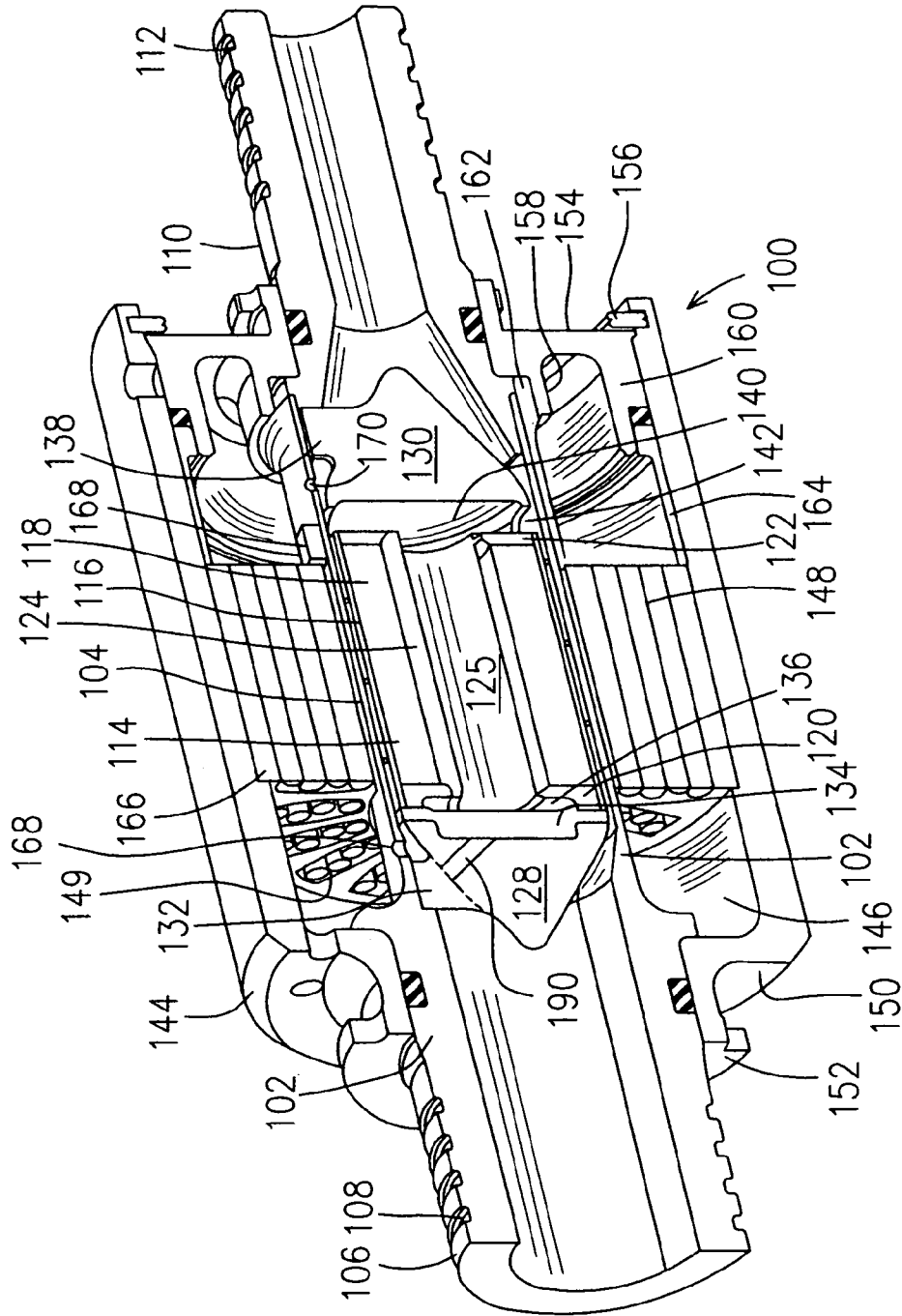


FIG. 2

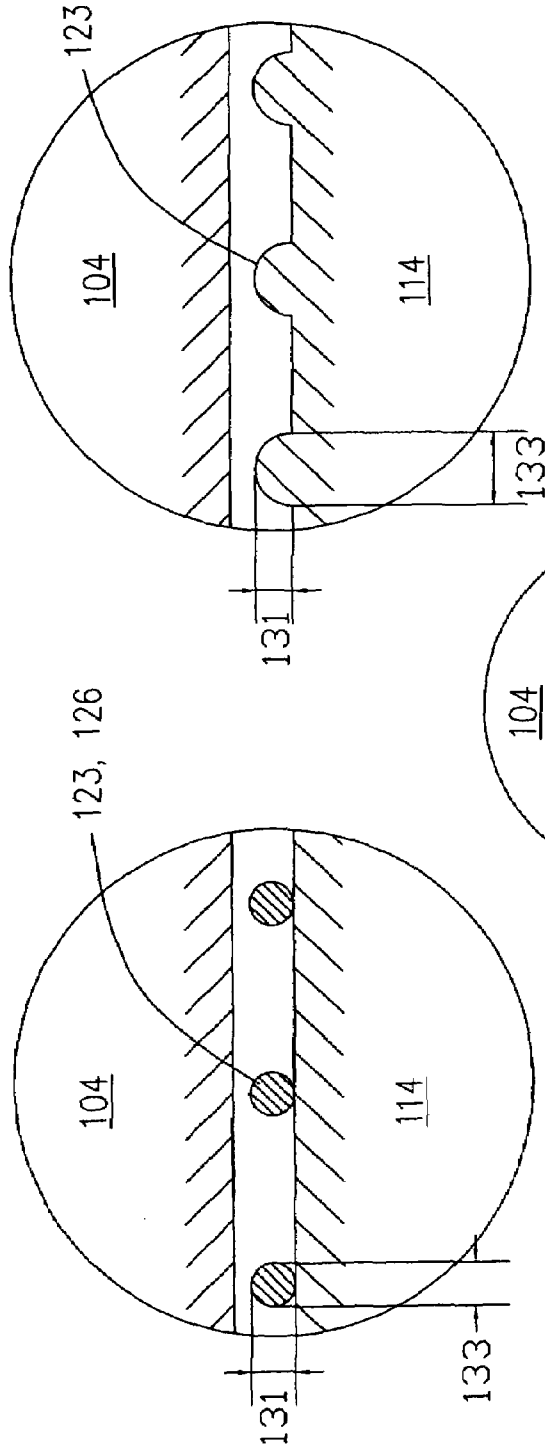


FIG. 3B

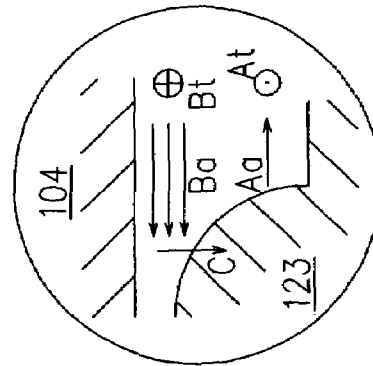


FIG. 3C

FIG. 3A

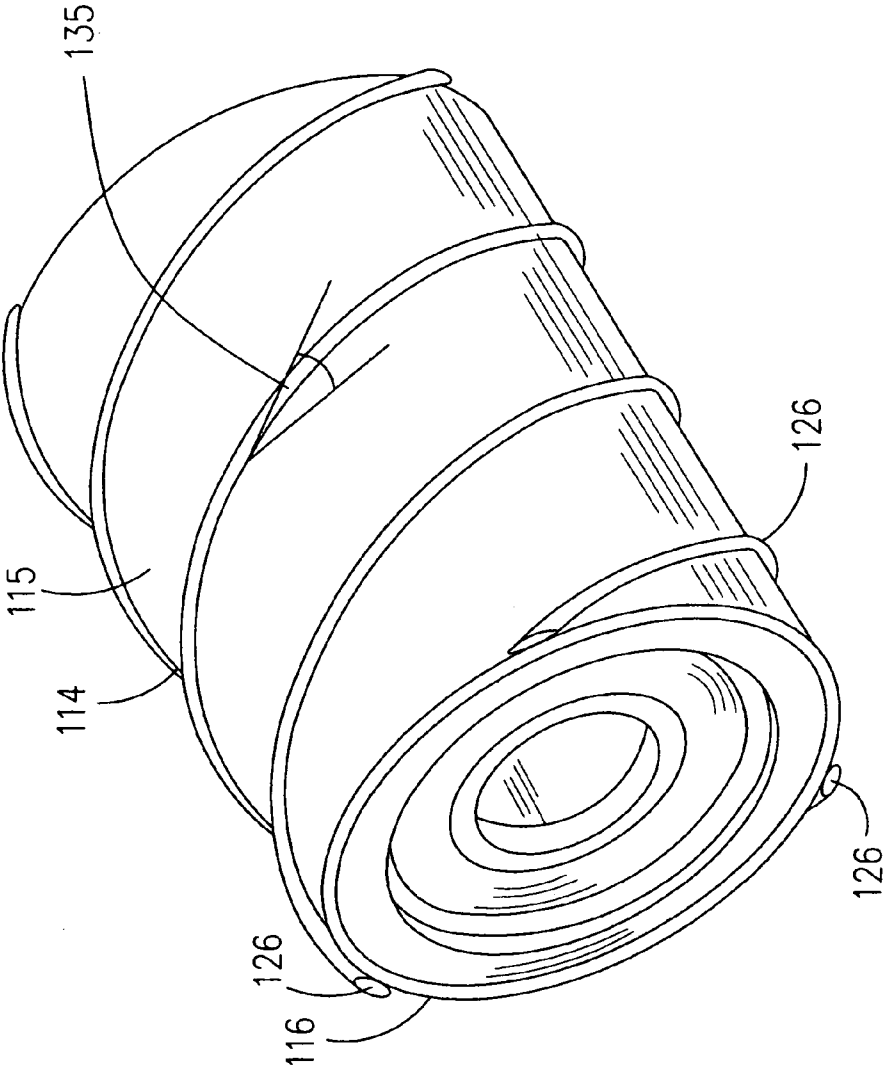


FIG. 4

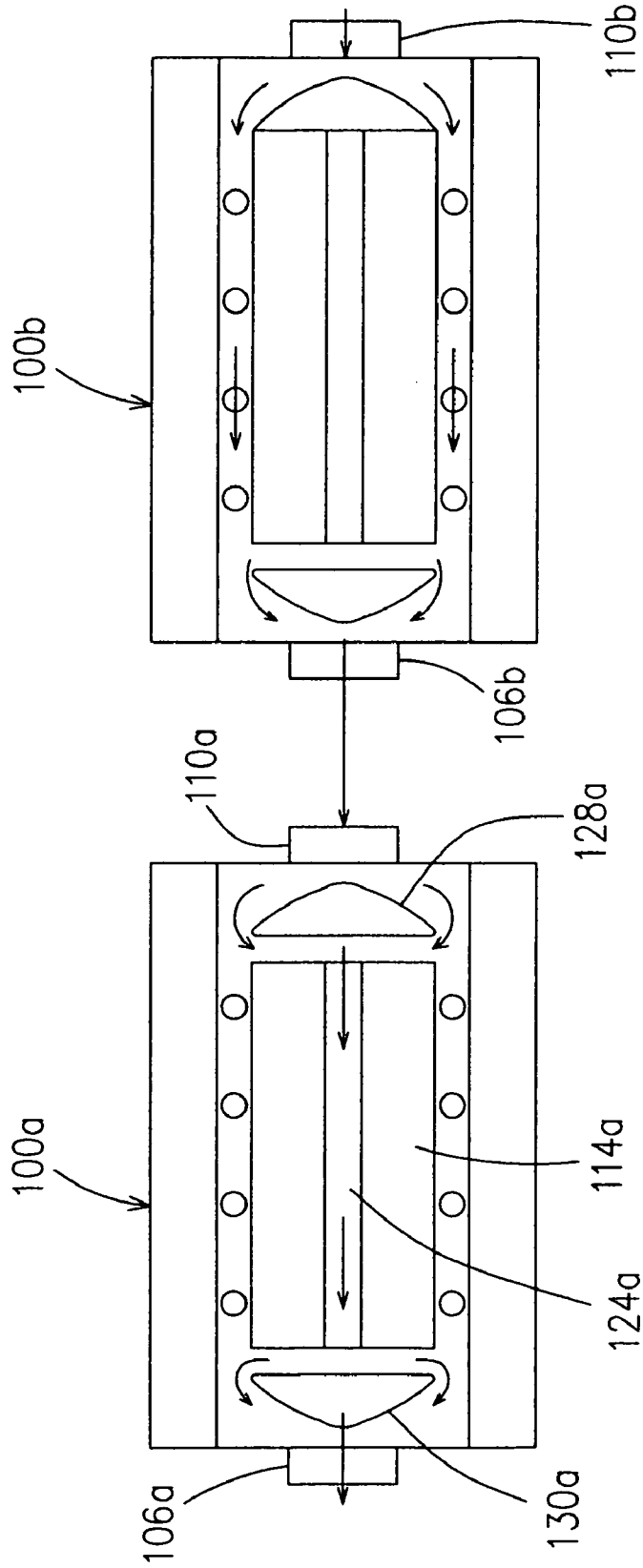


FIG. 5

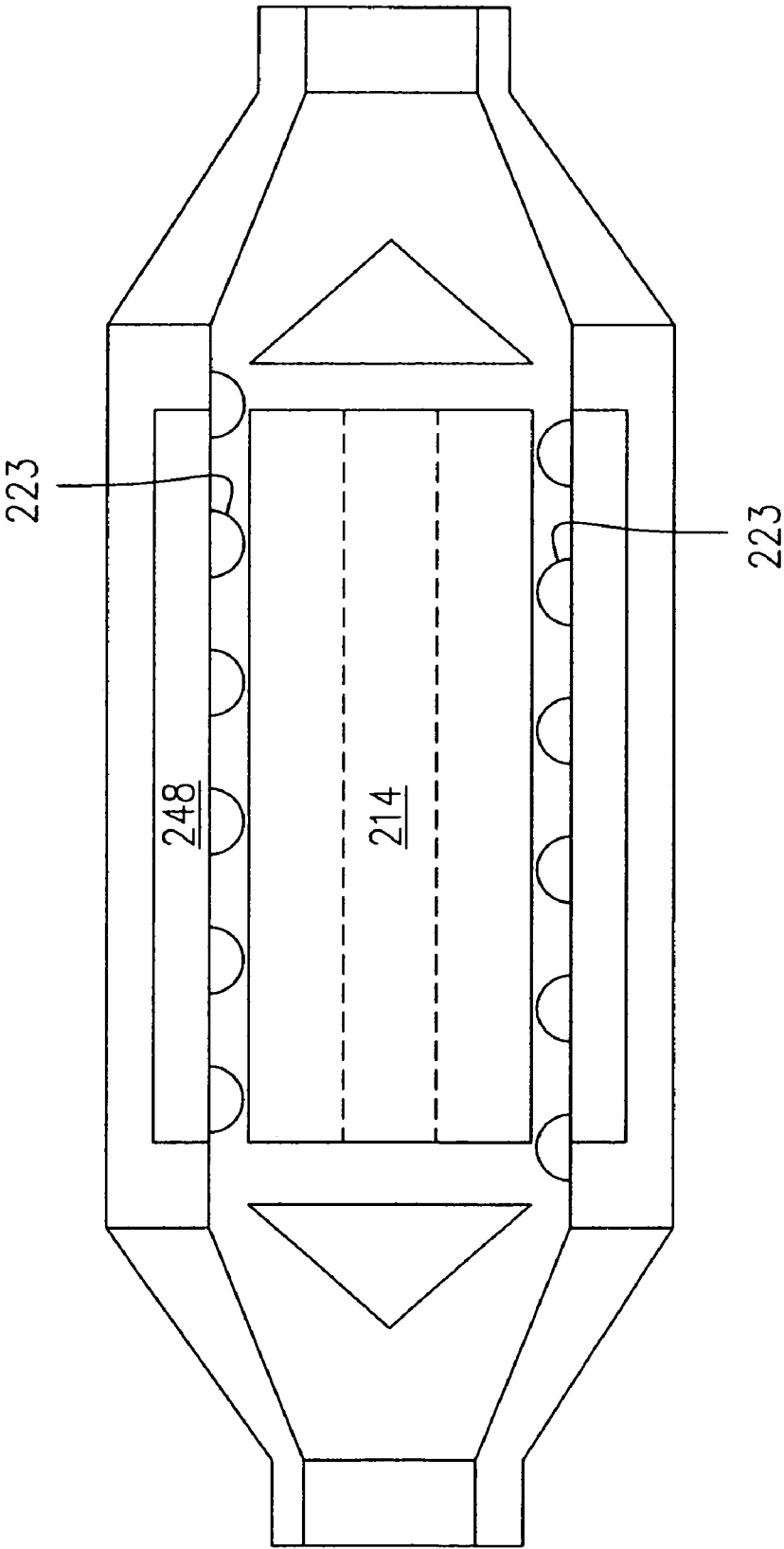


FIG. 6

1

PUMP AND METHOD

FIELD OF THE INVENTION

The present invention relates to a pump used for pumping a liquid.

BACKGROUND OF THE INVENTION

Electrically driven helix-type pumps are known. Permanent magnet pumps are also known. For example, a centrifugal blood pump is disclosed in U.S. Pat. No. 5,049,134 and an axial blood pump is disclosed in U.S. Pat. No. 5,692,882. In general, these and other helix pumps rely on friction or fluid dynamic lift to move fluid axially through the pump. That is, although the helix rotates, the liquid is rotationally relatively stationary as it moves axially along the length of the pump. While perhaps suited for pumping blood and other low speed and low pressure application, these devices are unsuitable for other environments, particularly where high speed and high pressures are desired. Room for improvement is therefore available.

SUMMARY OF THE INVENTION

One object of the present invention is to provide an improved pump.

In accordance with one aspect of the present invention, there is provided a pump having at least one inlet and one outlet for use in a liquid circulation system, the liquid having a dynamic viscosity, the circulation system in use having a back pressure at the pump outlet, the pump comprising a rotary rotor and a stator providing first and second spaced-apart surfaces defining a generally annular passage therebetween, the passage having a central axis and a clearance height, the clearance height being a radial distance from the first surface to the second surface, the rotor in use adapted to rotate at a rotor speed, at least one thread mounted to the first surface and extending helically around the central axis at a thread angle relative to the central axis, the thread having a height above the first surface and a thread width, the thread height less than the clearance height, the thread width together with a thread length providing a thread surface area opposing the second surface, wherein the rotor, in use, rotates at a rotor speed relative to the stator which results in a viscous drag force opposing rotor rotation, said drag force caused by shearing in the liquid between the thread and first surface and the second surface, the viscous drag force having a corresponding viscous drag pressure, wherein the thread height, thread surface area and thread angle are adapted through their sizes and configurations to provide a viscous drag pressure substantially equal to the back pressure, and wherein the clearance height is sized to provide for a non-turbulent liquid flow between the first and second surfaces.

In another aspect, the present invention provides a method of sizing a pumping system, the system including at least one pump and a circulation network for circulating a liquid having a dynamic viscosity, the circulation system having a back pressure at an outlet of the pump, the pump having a rotary rotor and a stator providing first and second spaced-apart surfaces defining a generally annular passage therebetween, the passage having a central axis and a clearance height, the clearance height being a radial distance from the first surface to the second surface, the rotor in use adapted to rotate at a rotor speed, at least one thread mounted to the first surface and extending helically around the central axis

2

at a thread angle relative to the central axis, the thread having a height above the first surface and a thread width, the method comprising the steps of determining the back pressure for a desired system configuration and a given liquid, dimensioning pump parameters so as to provide a non-turbulent flow in the passage during pump operation, selecting thread dimensions to provide a drag pressure in response to rotor rotation during pump operation, and adjusting at least one of back pressure and a thread dimension to substantially equalize drag pressure and back pressure for a desired rotor speed during pump operation.

In another aspect, the present invention provides a pump for a liquid, the pump comprising a stator including at least one electric winding adapted, in use, to generate a rotating electromagnetic field, a rotor mounted adjacent the stator for rotation in response to the rotating electromagnetic field, the rotor and stator providing first and second spaced-apart surfaces defining a pumping passage therebetween; and at least one helical thread disposed between the first and second surfaces and mounted to one of said surfaces, the thread having a rounded surface facing the other of said surfaces, wherein the rotor is sized relative to a selected working liquid such that, in use, the rotating rotor is radially supported relative to the stator substantially only by a layer of the liquid maintained between the rotor and stator by rotor rotation. Preferably rotor position is radially maintained substantially by a layer of the liquid between the rounded surface and the other of said surfaces which it faces.

In another aspect, the present invention provides a pump comprising a housing and a rotor rotatable relative to the housing, the rotor and housing defining at least a first flow path for a pump fluid, the rotor being axially slidable relative to the housing between a first position and a second position, the first position corresponding to a rotor axial position during normal pump operation, the second position corresponding to a rotor axial position during a pump inoperative condition, the rotor in the second position providing a second flow path for the fluid, the second flow path causing a reduced fluid pressure drop relative to the first flow path when the pump is in the inoperative condition. Preferably the second flow path is at least partially provided through the rotor. Preferably the first flow path is provided around the rotor.

In another aspect, the present invention provides a method of making a pump, comprising the steps of providing a housing, rotor, and at least one wire, winding the wire helically onto the rotor to provide a pumping member on the rotor, and fixing the wire to the rotor.

In another aspect, the present invention provides a pump for pumping a liquid, the pump comprising a rotor, and a stator, the stator including at least one electrical winding and at least one cooling passage, and a working conduit extending from a pump inlet to a pump outlet, working conduit in liquid communication with the cooling passage at at least a cooling passage inlet, such that in use a portion of the pumped liquid circulates through the cooling passage.

In another aspect, the present invention provides a pump comprising a rotor and working passage through which fluid is pumped and at least one feedback passage, the feedback passage providing fluid communication between a high pressure region of the pump to an inlet region of the pump. Preferably the feedback passage is provided through the rotor.

In another aspect, the present invention provides a pump comprising a rotor working passage through which liquid is pumped and at least one feedback passage, the rotor being disposed in the working passage and axially slidable relative

thereto, the working passage including a thrust surface against which the rotor is thrust during pump operation, the feedback passage providing liquid communication between a high pressure region of the working passage and the thrust surface such that, in use, a portion of the pressurized liquid is delivered to form a layer of liquid between the rotor and thrust surface.

In another aspect, the present invention provides an anti-icing system comprising a pump and a circulation network, wherein the pump is configured to generate heat in operation as a result of viscous shear in the pump liquid, the heat being sufficient to provide a pre-selected anti-icing heat load to the liquid.

Other advantages and features of the present invention will be disclosed with reference to the description and drawings.

BRIEF DESCRIPTION OF THE DRAWINGS

Reference will be now made to the accompanying drawings in which:

FIG. 1 is a cross-sectional view of a helix pump incorporating one embodiment of the present invention;

FIG. 2 is an isometric view of the embodiment of FIG. 1;

FIG. 3A is an enlarged portion of FIG. 1;

FIG. 3B is similar to FIG. 3A showing another embodiment;

FIG. 3C is a further enlarged portion of FIG. 3A, schematically showing some motions and forces involved;

FIG. 4 is an isometric view of the rotor of FIG. 1;

FIG. 5 is a schematic illustration of two pumps of the present invention connected in series; and

FIG. 6 is another embodiment according to the present invention.

DETAILED DESCRIPTION OF THE PREFERRED EMBODIMENTS

Referring to FIGS. 1, 2 and 4, a helix pump, generally indicated at numeral 100, is provided according to one preferred embodiment of the present invention.

The helix pump 100 includes a cylindrical housing 102 having at one end a working conduit 104, a pump inlet 106, and pump outlet 110. The housing 102, or at least the working conduit 104 are made of non-metal material, for example, a plastic, ceramic or other electrically non-conductive material, so that eddy currents are not induced by the alternating magnetic field of the stator and rotor system. Preferably, in addition to being non-conductive, the inner wall of conduit 104 is smooth, and not laminated, to thereby provide sealing capability and low friction with the rotor, as will be described further below. Connection means, such as a plurality of annular grooves 108, are provided on pump inlet 106 for connection with an oil source such as an oil tank (not shown). The end of the working conduit 104 abuts a shoulder (not indicated) of a pump outlet 110 which preferably is positioned co-axially with the housing 102. The pump outlet 110 is also provided with connection means, such as a plurality of annular grooves 112 for connection to an oil circuit, including, for example, engine parts for lubrication, cooling, etc. Any suitable connection means, such as a flanged connection, or force-fit connection, etc. may be used. Alternately, where the pump inlet and/or outlet is in direct contact with the working fluid (e.g. if the pump is submerged in a working fluid reservoir, for example), the inlet and/or outlet may have a different suitable arrangement.

A rotor 114 (cylindrical in this embodiment) is positioned within the working conduit 104, and includes a preferably relatively thin retaining sleeve 116, preferably made of a non-magnetic metal material, such as Inconel 718 (registered trade mark of for Inco Limited), titanium or certain non-magnetic stainless steels. The rotor 114 further includes at least one, but preferably a plurality of, permanent magnet (s) 118 within the sleeve 116 in a manner so as to provide a permanent magnet rotor suitable for use in a permanent magnet electric motor. The permanent magnets 118 are preferably retained within the sleeve 116 by a pair of non-magnetic end plates 120, 122 and an inner magnetic metal sleeve 124. A central passage 125 preferably axially extends through the rotor 114. The rotor 114 is adapted for rotation within the working conduit 104. The rotor 114 external diameter is sized such that a sufficiently close relationship (discussed below) is defined between the external surface 115 of the rotor 114 and the internal surface (not indicated) of the working conduit 104, which permits a layer of working fluid (in this case oil) in the clearance between the rotor and the conduit. As will be described further below, the clearance is preferably sized to provide a non-turbulent flow, and more preferably, to provide a substantially laminar flow in the pump. As will also be discussed further below, this is because the primary pumping effect of the invention is achieved through the application of a viscous shear force by thread 123 on the working fluid, which is reacted by the rotor 114 to move the working fluid tangentially and axially through the pump.

Referring to FIGS. 3A and 4, in this embodiment three threads 123 are provided, in this embodiment in the form of wires 126, each having a thread height 131, a thread width 133 a thread length (not indicated), and preferably a rounded outer surface or land 127, for reasons explained further below, such as that which is provided by the use of circular cross-sectioned wires 126. A thread surface area (not indicated), being the thread length times the thread width 133, represents the portion of the thread which is exposed directly to conduit 104, the significance of which will be discussed further below. The wires 126 may be made of any suitable material, such as metal or carbon fiber, nylon, etc. The wires 126 are preferably mounted about the external surface of the rotor 114 in a helix pattern, having a helix or thread angle 135, and circumferentially spaced apart from each other 120°. When rotated, the rotor 114 is dynamically radially supported within conduit 104 substantially only by a layer of the oil (the working fluid, in this example) between the rounded outer surface 127 of the thread 123 and the inner surface of the working conduit 104, as described further below. Rounded surface 127 preferably has a radius of about 0.008" or greater, but depends on pump size, speed, working liquid, etc. The threads 123, the outer surface of rotor 114 and the inner surface of working conduit 104 together define a plurality of oil passages which are preferably relatively shallow and wide. These shallow and wide oil passages provide for a thin layer of working fluid between rotor and conduit.

In accordance with the present invention, the number and configuration of the helical thread(s) 123 is/are not limited to the wires 126 described above, but rather any other suitable type and configuration of helical thread(s) may be used. For example, referring to FIG. 3B, a more fastener-like thread 123 may be provide in the form of ridge 129, having a rounded surface 127, on the operative surface of the rotor. Alternately, a thread 123 may be formed and then mounted to the rotor in a suitable manner. Any other suitable configuration may also be used.

Where the helical thread(s) are not integral with the rotor, they are preferably sealed to the rotor **114** to reduce leakage therebetween. For example, for wires **126** sealing is provided by welding or brazing, however other embodiments may employ an interference fit, other mechanical joints (e.g. adhesive or interlocking fit), friction fit, or other means to provide fixing and sealing. It will be understood that the mounting means and sealing means may vary, depend on the materials and configurations involved. Where extensible thread(s) are employed, such as wires **126**, it is preferable to pre-tension it/them to also help secure position and reduce unwanted movement.

Axial translation of the cylindrical rotor **114** within conduit **104** is limited by an inlet core member **128** and the outlet core member **130**, but rotor **114** is otherwise preferably axially displaceable therebetween (i.e. rotor **114** is axially shorter than the space available), as will be described further below. The non-rotating inlet core member **128** preferably has a conical shape for dividing and directing an oil inflow from the pump inlet **106** towards the space between the rotor **114** and the working conduit **104**, and is preferably generally co-axially positioned within the housing **102** and mounted adjacent thereto by a plurality (preferably three) of generally radial struts **132** (only one of which is shown in FIG. 2). The struts **132** are circumferentially spaced apart to allow the oil to flow therepast and may also act as inlet guide vanes. The inlet core member **128** includes end plate **134** mounted adjacent the inner side thereof, forming an inlet end wall for contacting the end plate **120** of the rotor **114**. The end plate **120** of the rotor **114** preferably has a central recess **136** to reduce the contacting area with the end plate **134**, but perhaps more importantly, in use the recess **136** is allowed to fill with pressurized oil via the central passage **125**, which helps balance the forces acting on rotor **114** and thereby reduce the axial load on the rotor **114** during the pump operation. End plate **134** and rotor **114** are configured to allow sufficient leakage therebetween, such that pressurized oil from central passage **125** may support rotor **114** in use in a manner similar to a thrust bearing. The struts **132** supporting the inlet core member **128** can also have a plurality of fluid supply passages **190** provided such that small jets of fluid may be directed from the pressurized liquid in central passage **125** (which has entered passage **125** through holes **142**, described further below) toward the inlet end of the pump through the supporting struts **132**, to promote an inlet fluid flow to the inlet of the pump, thereby improving the inlet conditions. Passages **125** and **190** thus provide a pressure feedback system.

Similar to the inlet core member **128**, the non-rotating outlet core member **130** preferably has a conical shape for directing and rejoining the flow of oil from the space between the rotor **114** and the working conduit **104** into the pump outlet **110**, and is preferably positioned generally co-axially with the housing **102** and the outlet **110**. The outlet core member **130** is mounted adjacent the outlet **110** by a plurality (preferably three) of struts **138** (only one is shown in FIG. 2) which are circumferentially spaced apart to permit pumped oil to flow therepast. The outlet core member **130** also has a central recess **140** and a plurality of openings **142** (see FIG. 2) to provide fluid communication between the central recess **140** and the working conduit **104**, for bypass purposes to be explained further below. The outlet core member **130** may also have a central hole **180** to provide an escape route or bleed for air or other gases that may otherwise be collected by centrifugal separation in the pumped fluid. In an alternate configuration (not shown) a

conduit may also or instead be provided to evacuate the separated gas/air which collects at this location, and/or in other locations where separated gas/air may collect depending on pump configuration.

In this embodiment, when the rotor **114** moves axially from adjacent the inlet core member **128** (i.e. as shown in FIGS. 1 and 2) towards the outlet core member **130**, a gap opens between the rotor **114** and the inlet core member **128** (see FIG. 5). The central passage **125** of the rotor **114**, the gap between the rotor **114** and the inlet core member **128** and the openings **142** in the outlet core member **130**, therefore form a bypass assembly which will be discussed further below.

Referring again to FIGS. 1 and 2, casing **144** is provided around the housing **102** and the pump outlet **110**, thereby forming a chamber **146** to accommodate a stator **148** therein. The casing **144** preferably includes an end wall **150** having a central opening (not indicated) for receiving the pump inlet **106**. A mounting flange **152** is provided on the end wall **150**. The casing **144** also has an open end closed by an end plate **154**, which has a central opening for receiving the pump outlet **110**, and is secured to the casing **144** by a retaining ring **156**. The end plate **154** further includes inner and outer insert portions **158**, **160** in cooperation with inner and outer retaining rings **162**, **164** to restrain the axial position of the stator **148** in the annular chamber **146**, in conjunction with integral shoulders (not indicated) on the casing inner side.

The stator **148** includes a plurality of electrical windings (not indicated), and preferably a retainer **166** which retains the electrical winding in position and provides cooling passages **149** extending therethrough. Coolant openings **168** and **170** (see FIG. 2) are provided at the opposing ends of the stator **148** and in fluid communication with the working conduit **104** to permit working fluid to be drawn therefrom for cooling purposes, described below. It is preferable to have the openings **170** at the outlet end smaller than the openings **168** at the inlet end, as described further below.

Rotor position information required for starting and running the permanent magnet motor is obtained from an appropriate sensor **168** preferably located in the stator **148**, although rotor position sensing may be achieved through any suitable technique. The rotor **114** is preferably made longer than the stator **148** for positioning the position sensor **168**, thus providing magnetic field at the end of the rotor for easy access by the position sensor.

Seals (not indicated) are provided on the interfaces between the casing **144** and pump inlet **106**, between the casing **144** and the end plate **154**, as well as between the end plate **154** and the pump outlet **110** to prevent leakage.

In use, when an AC current is supplied to the device, in conjunction with the rotor position data provided by the sensors, the electrical winding in the stator **148** generates an alternating electromagnetic field which results in appropriate rotation of the rotor **114**, thereby driving the pump **100** into operation.

Preferably, as the rotor **114** rotates, a non-turbulent (i.e. about Re<10000) flow, and more preferably substantially laminar (i.e. about Re<5000) flow, and still more preferably fully laminar (i.e. about Re<2500) flow, is present between rotor **114** and working conduit **104**. This is desired such that viscous effects of the liquid can be used to enhance pumping, as will now be described.

Referring to FIG. 3C, as the rotor **114** rotates in such non-turbulent conditions, the relative motion (which, due to thread angle **135**, has axial and tangential component indicated by arrows A_z and A_r , respectively, the arrow A_r in this depiction pointing out of the plan of the page toward the

reader) between thread **123** and the working fluid results in the generation of a viscous shear force in the oil and between the thread surface area of the thread **123** and the wall of working conduit **104**. The viscous shear force acts to oppose relative movement between the thread and the working conduit—i.e. acts as a drag force in the direction of the thread angle **135**—but may be resolved for analytical purposes into a tangential shear force (arrow B_t , directed into the plane of the page), and an axial shear force (indicated by arrow B_a). The reader will appreciate that this drag force increases as any one of the thread surface area, rotor speed, or viscosity increases, or the thread-to-conduit distance decreases. It will also be understood that the viscous forces generate corresponding viscous or drag pressures, as the viscous drag forces are applied to the liquid over an area. The areas involved in “useful” pressure development (i.e. the results in pumping pressure) are the gap or clearance height (between thread **123** and the conduit wall **104**) times the projected thread length (i.e. for the tangentially directed pressure components, projected thread length would be more or less the axial length of the rotor, while for the axially directed pressure component, projected thread length would be more or less the circumference of the rotor). Expected or desired pressure may thus be calculated. However, the inventor has found that this viscous or drag pressure is only a useful pressure gain if an appropriate back pressure is applied to the pump outlet. If the back pressure applied is less than the drag pressure developed, then the drag pressure is simply results in lost efficiency, since that drag requires torque but does not result in pumping pressure gain. Therefore, back pressure is preferably applied at the pump outlet such that the back pressure is substantially equal to the viscous or drag pressure generated by rotor **114** rotation when pumping the desired liquid. The forces exerted on the liquid in the pump are primarily in the tangential direction (because this is the largest component of the rotor’s velocity, because thread angles are typically less than 45 degrees) and, since the total pressure within the liquid must be balanced, the resulting liquid axial velocity must be such that, together with back pressure and axial shear pressures, the axial total pressure equals the tangential total pressure. Thus, in this manner the present invention provides a liquid pumping force. Unlike prior art screw or helix pumps, where friction and/or fluid dynamic lift is used to pump liquids, the threads of the present invention act somewhat more akin to windshield wipers, rather than fluid dynamic vanes, to develop tangential shear pressures which are subsequently resolved and balanced with back pressure to pump liquid from the device. Greater pressure and flow rates are thus possible than with the prior art devices.

In use, this viscous shear or drag tends to push the rotor **114** axially backward against the end plate **134** (thereby also beneficially closing the bypass assembly, as will be discussed further below). This load on the rotor is reacted by the end plate **134**, as end plate **134**, restrains any further axial motion of rotor **114**, and thus the rotor **114** pushes back on the oil with a force substantially equal to the viscous shear or drag force, and it is this action which generates the primary pumping force of the present invention (in a direction opposite to arrows **B**).

As mentioned briefly above, conduit wall **104** is preferably smooth, to improve sealing capability for threads **123** relative to wall **104**. The development of the viscous shear forces and pressures of the present invention is greatly enhanced by the provision of a smooth conduit wall. The prior art, such as U.S. Pat. No. 5,088,899 Blecker et al, show that it is known to provide a working conduit of laminated

steel—a common construction for motor stators, and since the motor stator doubles as a working conduit, it would seem natural to make the combination, and thus provide a laminated working conduit. The inventor has found, however, a laminated metal stator would not have the sealing capability or low friction characteristics preferred for desired implementation of the present invention.

As will be apparent, the designer may adjust many parameters in providing a pump according to the present invention having the desired pumping characteristics. Key considerations are the thickness of the shear film (i.e. between thread **123** and the wall **104**), which affects the magnitude of the shear force and pressure for a given liquid, and the Reynolds number or “laminarity” of the flow, as adjusted by rotor speed, thread angle and thread surface area, the clearance between the rotor and the conduit, and liquid selection. The designer has many parameters at his disposal, including thread height, rotor-to-conduit clearance height, thread width, thread angle, thread length, number of threads on the rotor, rotor speed, back pressure, and liquid (i.e. to vary viscosity), to adjust these and other considerations in designing a pump according to the present invention.

The thread width is also instrumental in reducing leakage between the thread and conduit wall. Preferably, therefore, the thread width is optimized for drag and leakage.

Preferably, to generate maximum flow rates and pressures at high speeds, the clearance between the rotor and conduit and the thread height are made very small. The size, speed and pressures of the pump may vary, depending on the liquid pumped and pump configuration, etc. For example, the laminar nature of a flow is dependant upon scale, and a large diameter, low velocity rotor could have a much thicker thread and still remain in the non-turbulent or laminar regions.

The present invention also conveniently provides a bearing-less design. The rounded outer surface **127** co-operates with in the inner wall of working conduit **104**, and with the small clearance between threads **123**, rotor **114** and conduit **104**, to create a hydrodynamic effect which generates pressure (indicated by arrow **C** in FIG. 3C) to create an oil wedge between the rounded outer surface of the helical thread. At higher rotational speeds, this pressure is sufficient to radially support the rotor **114** in a manner similar to the way in which an oil wedge supports a shaft within a journal bearing. The effect is affected by working liquid viscosity, and thus relative sizing of pump components should factor this consideration in, as well. This pump, therefore, does not require bearings of any sort (e.g. mechanical, magnetic, air, etc.) to support the rotor, although bearing support may be provided if desired.

An integral cooling system is also provided. During operation, the oil pressure at the outlet end is greater than the oil pressure at the inlet end, and this oil pressure differential causes oil to also enter the stator chamber **146** through the coolant inlet openings **170** and flow through cooling passages **149** in the stator to cool the electrical winding, and then exit from the coolant outlet openings **168**. As mentioned, preferably inlet openings **170** (adjacent the pump outlet end) are smaller than outlet openings **168** to “meter” oil into the cooling passages at the high pressure end of the pump while allowing relatively un-restricted re-entrance of the oil to the working conduit **104** via the larger holes of outlet openings **168**.

The present invention permits operation at large speed range, including very high speeds (e.g. ++10,000 rpm), providing that Reynolds number is maintained below about

10,000 between rotor and conduit, and more preferably 5000 and still more preferably below about 2500, as mentioned above. High speeds can permit the device to be made considerably smaller than prior art pumps having similar flow rates and pressures. The construction also permits better reliability (simple design, no bearings) and lower operating costs than the prior art.

Pump 100 of the present invention includes parts which are relatively easy to manufacture. Where wires 126 are used as threads, they can be mounted to the cylindrical rotor 114 by winding them thereonto in a helix pattern, preferably in a pre-tensioned condition, and the rotor 114 is then inserted into the working conduit 104 to thereby provide a pumping chamber between the rotor and the housing, and the end caps are put into place. This method of providing helical threads can be broadly applied to other types of pumps, not only to electrically driven pumps.

In one aspect, the present invention also permits the problems associated with large pressure drops caused by an inoperative pump in a multiple pump system to be simply addressed, as will now be described.

FIG. 5 schematically illustrates two helix pumps 100a and 100b according to the present invention in series. When pump 100a is inoperative, the pressure differential across the inoperative pump 100a is reversed relative to operative pump 100b (i.e. the oil pressure at the inlet 100a is greater than at the outlet 106a). The rotor 114a is thus forced towards the outlet core member 130a and leaves a gap between the rotor 114a and the inlet core member 128a. Although the rotor 114a axially abuts the outlet core member 130a, the openings 142 (see FIG. 2) in the outlet core member 130a provide a passage from the central passage 125a to the pump outlet 106a. Therefore, in this case, oil pumped by the operative pump 100b enters the pump inlet 100a of the pump 100a and a major portion of the oil is permitted to flow through the bypass passage formed by the central passage 125a through the inoperative pump 100a, thereby significantly reducing the pressure drop that would otherwise occur across the inoperative pump 100a.

In another application of the present invention, the helix pump of the present invention can be used, for example, as a boost pump located upstream of a fuel pump in a fuel supply line, for example as may be useful in melting ice particles which may form in the fuel in low temperatures. The viscous shear force generated by the pump of the present invention to move the working liquid, also results in heat energy which can be used to melt any ice particles in the fuel flow.

It should be noted that modification of the described embodiments is possible without departing from the present teachings. For example, the invention may be used wherein the thread(s) is/are statically mounted to the stator, and a simple cylindrical rotor rotates therein, as depicted in FIG. 6, where elements analogous to those described above have similar reference numerals but are incremented by 200. Any other suitable combination or subcombination may be used. Also, the working medium may be any suitable liquid, such as fuel, water, etc. It should also be noted that the present concept may be applied to mechanically, hydraulically and pneumatically driven pumps, etc. The inoperative pump bypass feature is likewise applicable to other types of pumps, such as screw pumps, centrifugal pumps, etc. The bypass feature may be provided in a variety of configurations, and need not conform to the exemplary one described. Also, the pumped-medium stator cooling technique is applicable to other electrically driven pumps and fluid devices. Any suitable rotor and stator configuration may be used, and

a permanent magnet and/or AC design is not required. The invention may be adapted to have an inside stator and outside rotor. Rounded surface 127 may have any radius or combination of multiple or compound radii, and may include flat or unrounded portions. The pressure feedback apparatus and bypass apparatus need not be provided by the same means, nor need they be provided in the rotor, not centrally in the rotor. The pump chamber(s) may have any suitable configuration: the inlets and outlets need not be axially aligned or concentrically aligned; the pumping chamber need not be a constant radius or annular; axial pumping may be replaced with centrifugal or other radial confirmation; the threads may not be continuous along the length of the rotor, but rather may be discontinuous with interlaced vanes; the threads may not be continuously helical; and still further modification will be apparent to the skilled reader and those listed here are not intended to be exhaustive. The scope of the present invention, rather, is intended to be limited solely by the scope of the claims.

I claim:

1. A pump having at least one inlet and one outlet for use in a liquid circulation system, the liquid having a dynamic viscosity, the circulation system in use having a back pressure at the pump outlet, the pump comprising:

a rotary rotor and a stator providing first and second spaced-apart surfaces defining a generally annular passage therebetween, the passage having a central axis and a clearance height, the clearance height being a radial distance from the first surface to the second surface, the rotor in use adapted to rotate at a rotor speed,

at least one thread mounted to the first surface and extending helically around the central axis at a thread angle relative to the central axis, the thread having a height above the first surface and a thread width, the thread height less than the clearance height, the thread width together with a thread length providing a thread surface area opposing the second surface,

wherein the rotor, in use, rotates at a rotor speed relative to the stator which results in a viscous drag force opposing rotor rotation, said drag force caused by shearing in the liquid between the thread and first surface and the second surface, the viscous drag force having a corresponding viscous drag pressure,

wherein the thread height, thread surface area and thread angle are adapted through their sizes and configurations to provide a viscous drag pressure substantially equal to the back pressure, and

wherein the clearance height is sized to provide for a non-turbulent liquid flow between the first and second surfaces.

2. The pump of claim 1 wherein the clearance height is sized to provide a net Reynolds number less than 10000.

3. The pump of claim 1 wherein the clearance height is sized to provide a net Reynolds number less than 3000.

4. The pump of claim 1 wherein the first surface is surface of the rotor.

5. The pump of claim 1 wherein the thread has a rounded profile opposing the second surface in a cross-sectional view thereof.

6. The pump of claim 1 wherein a groove is defined between adjacent portions of the thread, and wherein the groove is wider than the thread width.

7. The pump of claim 1 wherein there are plurality of threads spaced circumferentially equally around the first surface.

11

8. The pump of claim 7 wherein the plurality of threads are interlaced with one another.

9. The pump of claim 1 wherein the thread is continuous along an operational length of the rotor.

10. A method of sizing a pumping system, the system including at least one pump and a circulation network for circulating a liquid having a dynamic viscosity, the circulation system having a back pressure at an outlet of the pump, the pump having a rotary rotor and a stator providing first and second spaced-apart surfaces defining a generally annular passage therebetween, the passage having a central axis and a clearance height, the clearance height being a radial distance from the first surface to the second surface, the rotor in use adapted to rotate at a rotor speed, at least one thread mounted to the first surface and extending helically around

12

the central axis at a thread angle relative to the central axis, the thread having a height above the first surface and a thread width, the method comprising the steps of;

determining the back pressure for a desired system configuration and a given liquid,

dimensioning pump parameters so as to provide a non-turbulent flow in the passage during pump operation,

selecting thread dimensions to provide a drag pressure in response to rotor rotation during pump operation; and

adjusting at least one of back pressure and a thread dimension to substantially equalize drag pressure and back pressure for a desired rotor speed during pump operation.

* * * * *